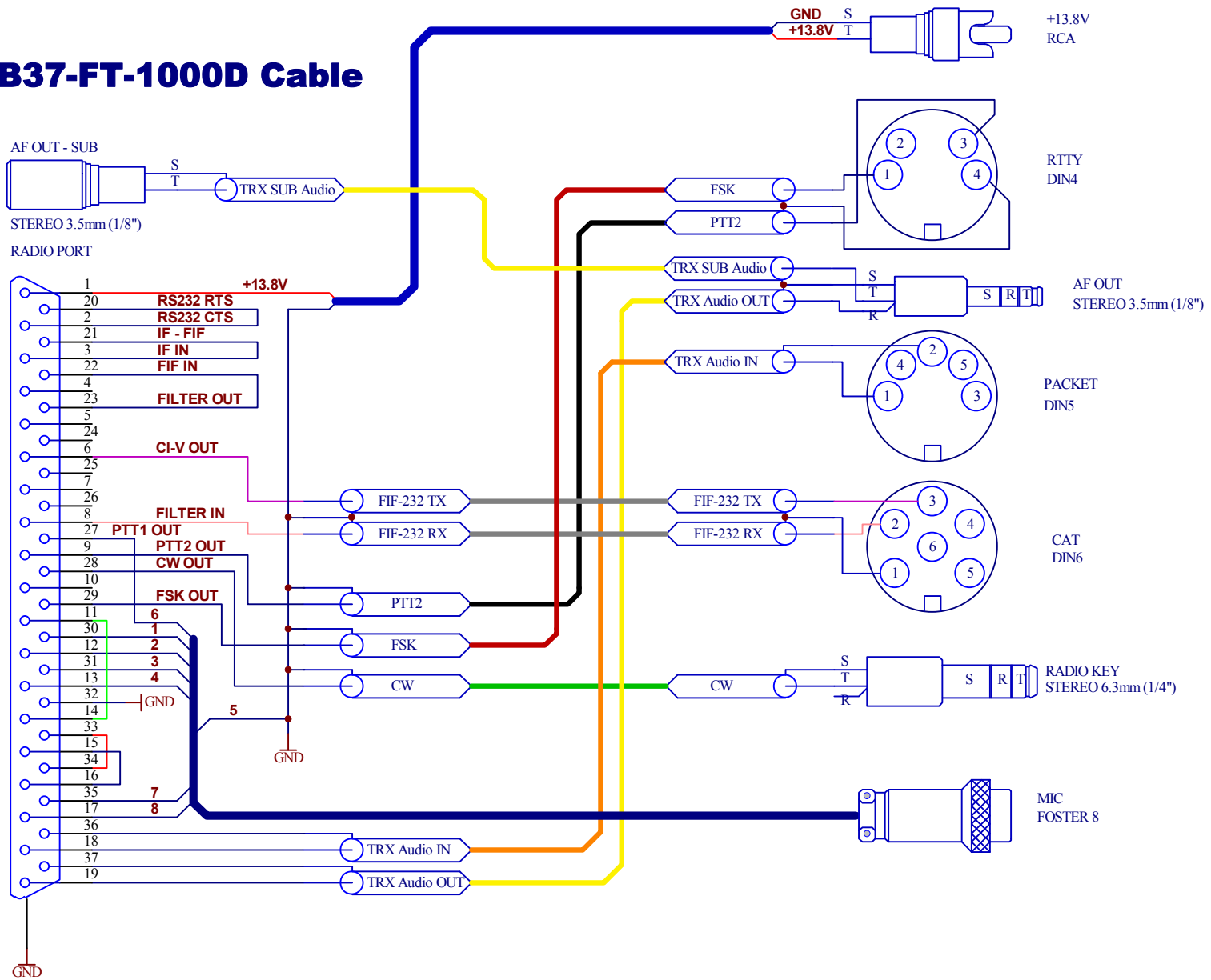


DB37-FT-1000D Cable



FT- 1000, 1000D

Notes:

PTT1 is used for CW/SSB, PTT2 for digital modes

**S = Sleeve
T = Tip
R = Ring**