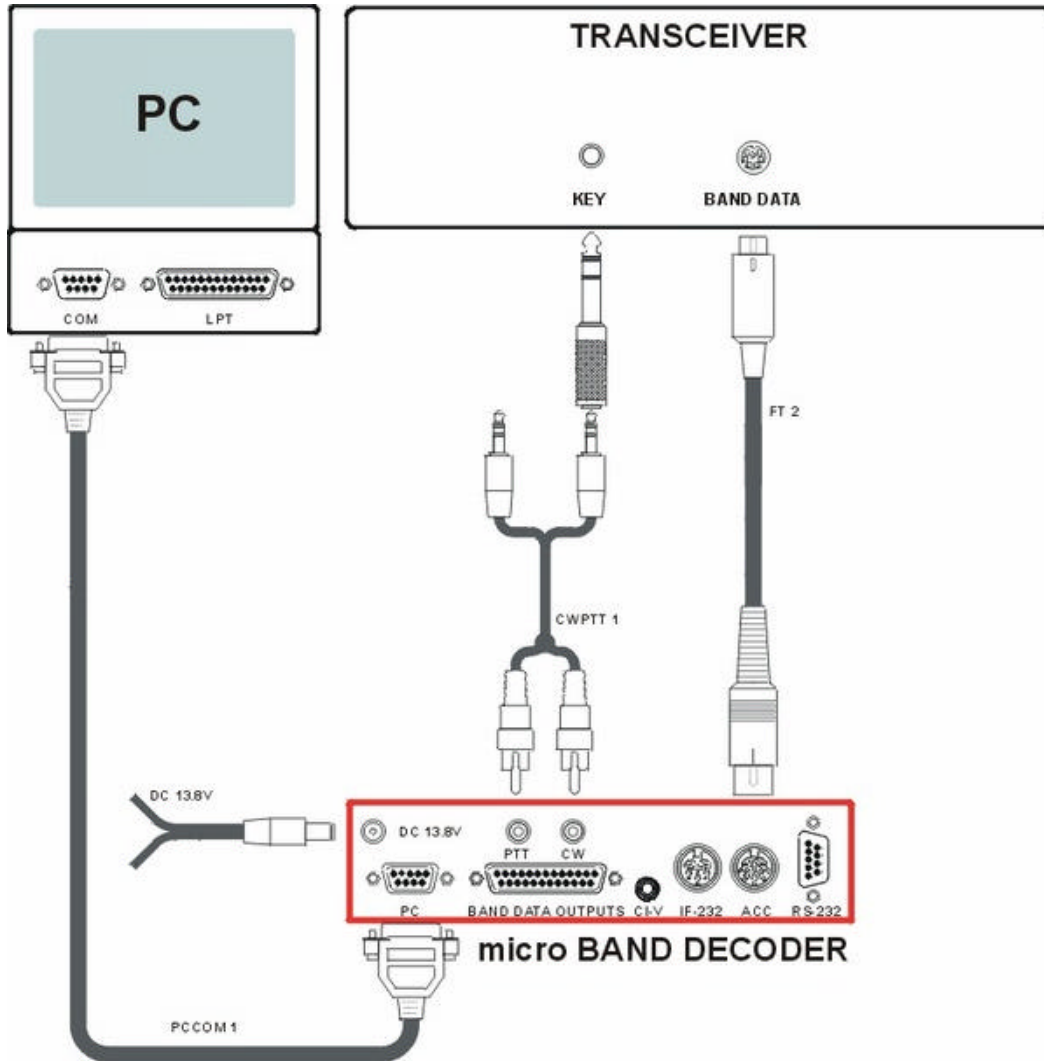


## YAESU FT 100 , 100D , 817 , 857 , 897 , 900



This configuration is used for transceivers which have BCD data on the MINIDIN 8 - BAND DATA jack. CW is generated on the serial port and band information is acquired from the band data jack.