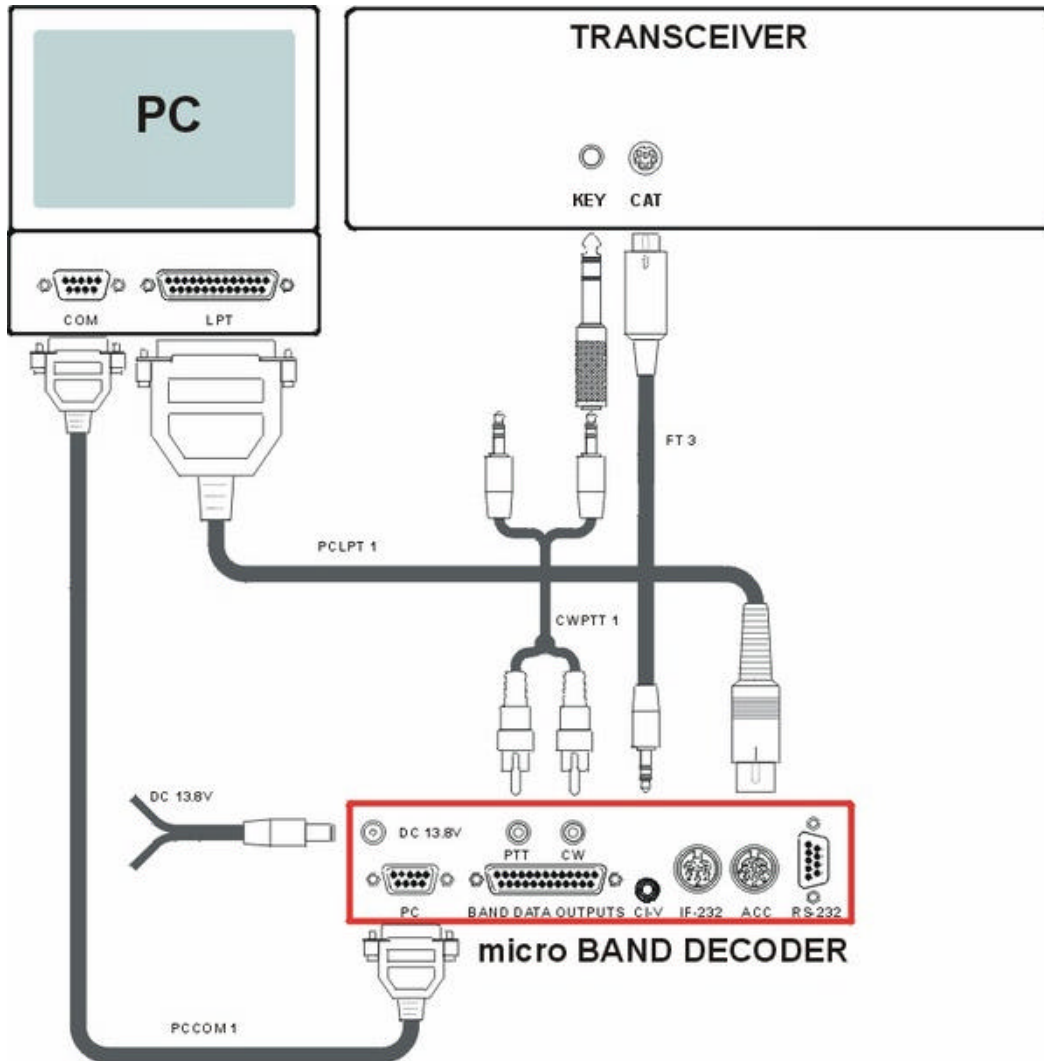


YAESU FT 100 , 100D , 817 , 840 , 857, 897 , 900



This configuration is used for transceivers with MINIDIN 8, FIF-232 CAT interface. The CT-62 cable is not necessary.

With this this configuration, the RIG is controlled by the PC on the serial port. CW is generated on either serial or parallel port and BAND DATA is decoded from the serial control data.

Note: The FT-840 and FT-900 require an FT5 cable with MINIDIN6 plug.