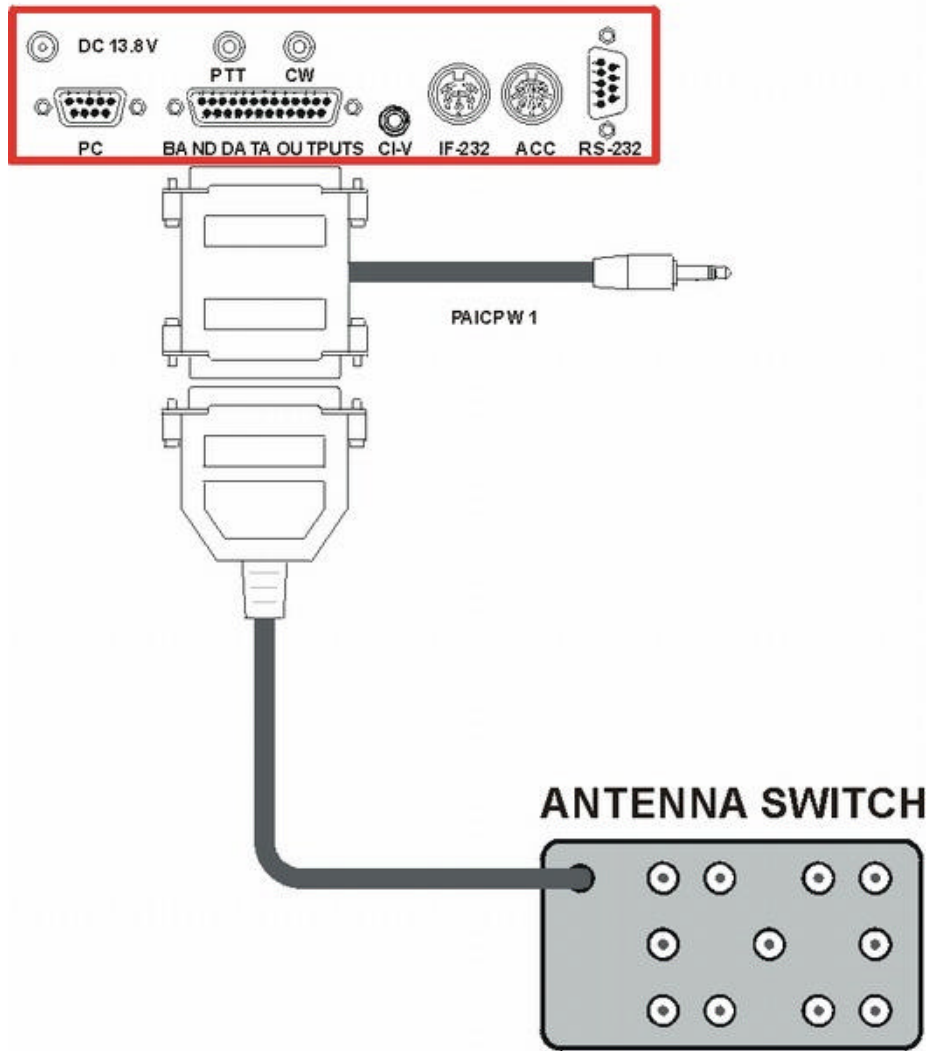


IC - PW1

micro BAND DECODER



This method is used to connect the Band Decoder, the Icom IC-PW1 automatic linear amplifier and a non-Icom transceiver. Thanks to Band Decoder, the IC-PW1 will change bands in response to band changes on the rig or PC. Connect the PAICPW1 cable to CI-V connector on IC-PW1, configure the decoder for use with the IC-PW1 and connect the transceiver to the decoder as required (see the appropriate Application Note for Transceiver Connections).