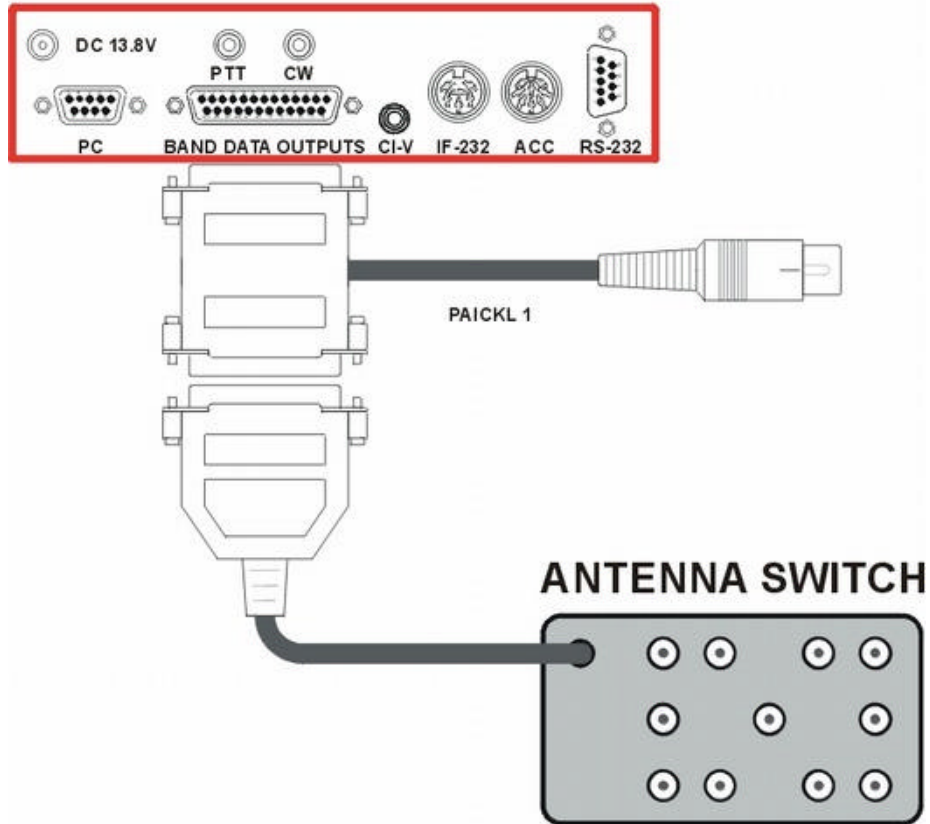


IC-2KL, IC-4KL

micro BAND DECODER



This method is used to connect the Band Decoder, the Icom IC-2KL or IC-4KL automatic linear amplifier and a non-Icom transceiver. Thanks to Band Decoder, the amplifier will change bands in response to band changes on the rig or PC. Connect the PAICKL1 cable to amplifier and connect the transceiver to the decoder as required (see the appropriate Application Note for Transceiver Connections).