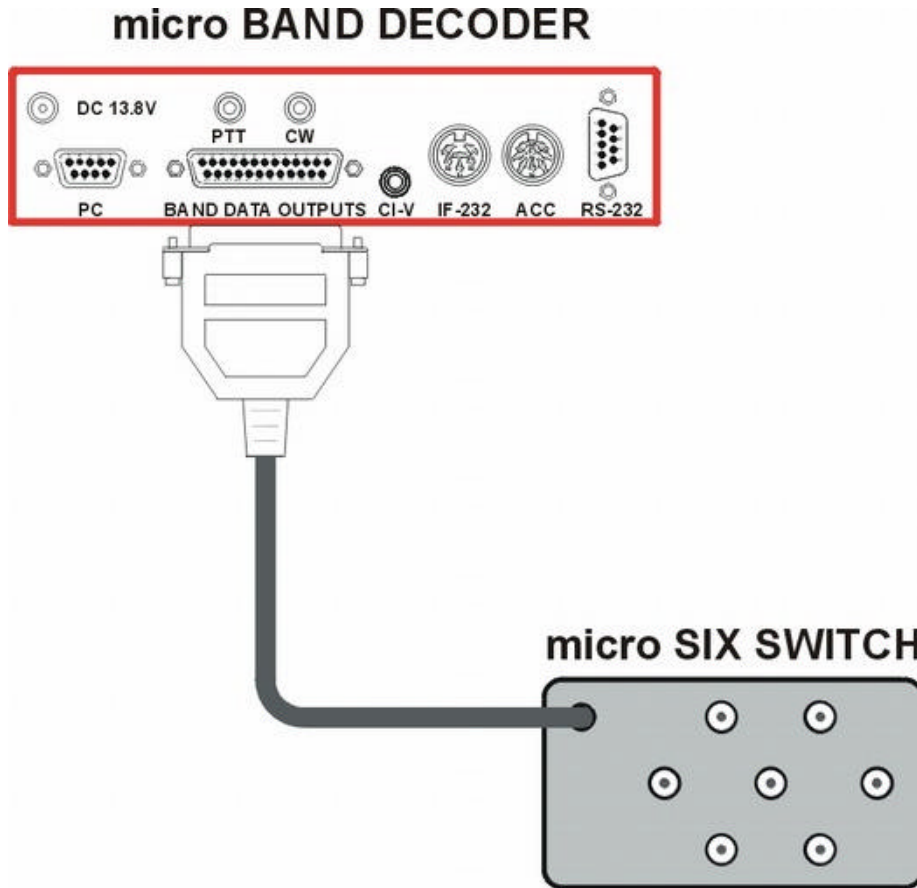


## micro BAND DECODER + micro SIX SWITCH



The micro SIX SWITCH connects directly to the micro Band Decoder. Using the supplied configuration software, choose the appropriate antenna port for each band. Use one antenna port for more than one band (multi band antennas), or multiple ports for a single band (frequency split), as necessary.

If the micro SIX SWITCH is going to be placed outside, the optional RELAY BOARD must be installed. In this case, the jumper on the RELAY BOARD must be set to "+".