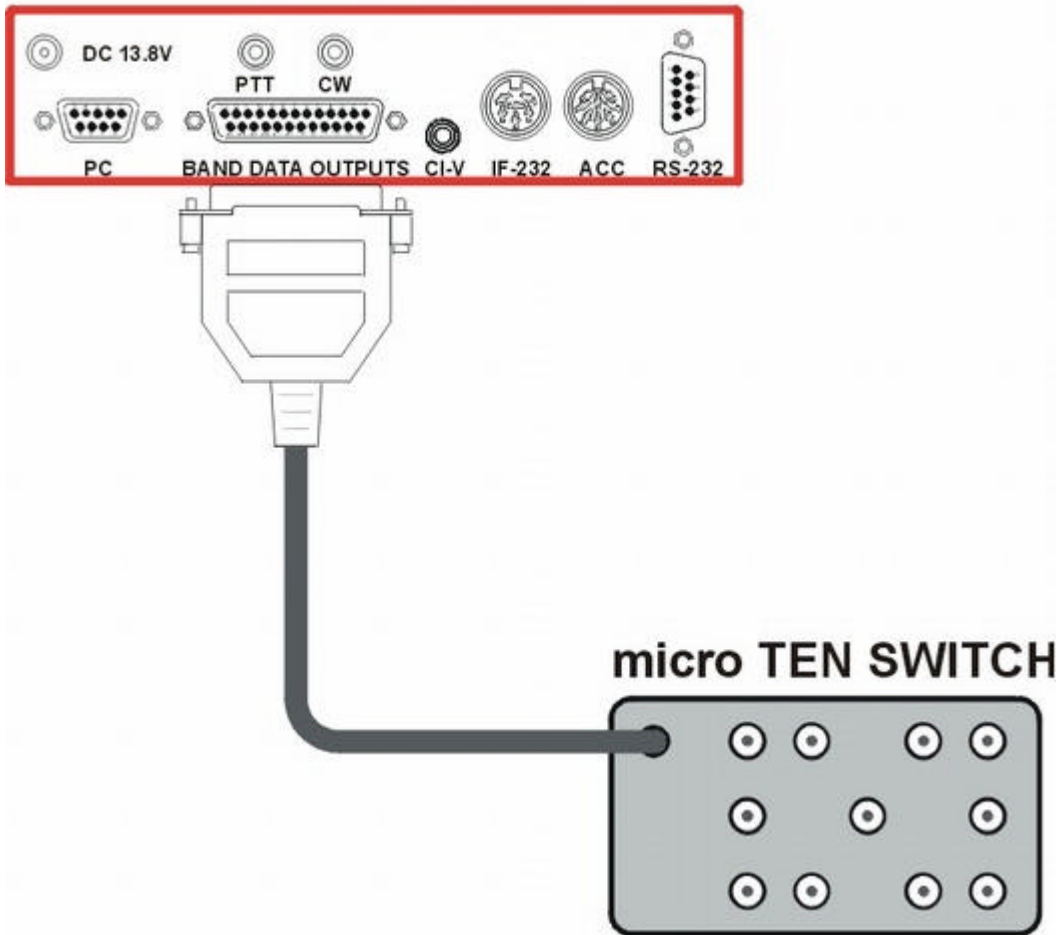


micro BAND DECODER + micro TEN SWITCH

micro BAND DECODER



micro TEN SWITCH connects directly to micro Band Decoder. Using the supplied configuration software, choose the switching of antenna ports at the required bands. Use one antenna port for more bands (multi band antennas), or two or more antenna ports on one band (frequency split), on your choice. If micro TEN SWITCH is going to be placed outside the ham shack, it is necessary to have the micro Band Decoder fitted by the optional RELAY BOARD. (In this case,) jumper on the RELAY BOARD must be set to "+".