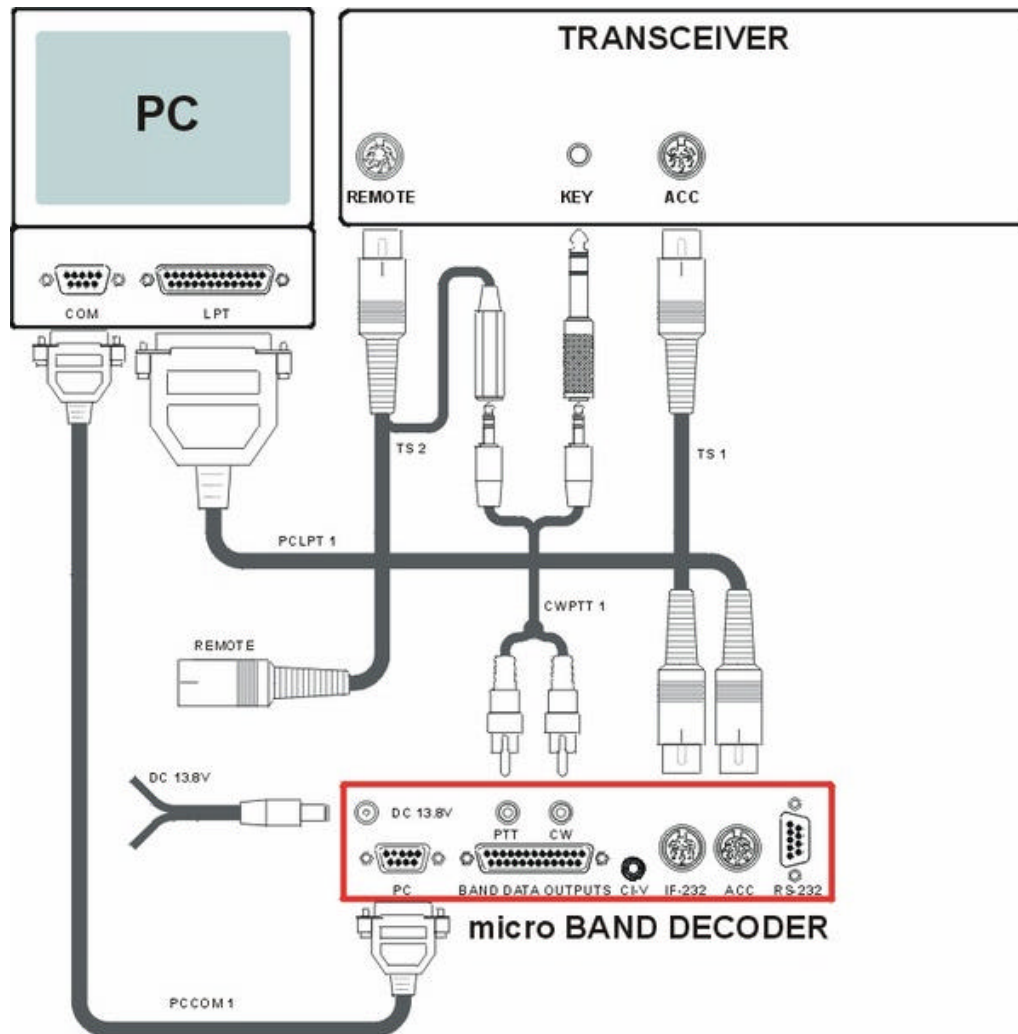


KENWOOD - TS 450 , 690 , 850 , 950



This configuration is used for transceivers fitted with the IF-232 communication interface. The logging software controls the RIG and keying via the COM or LPT port. Band data is acquired by reading the serial data.

The PTT signal comes to the RIG via a TS2 cable which extends the REMOTE connector for further use (e.g. PA control).