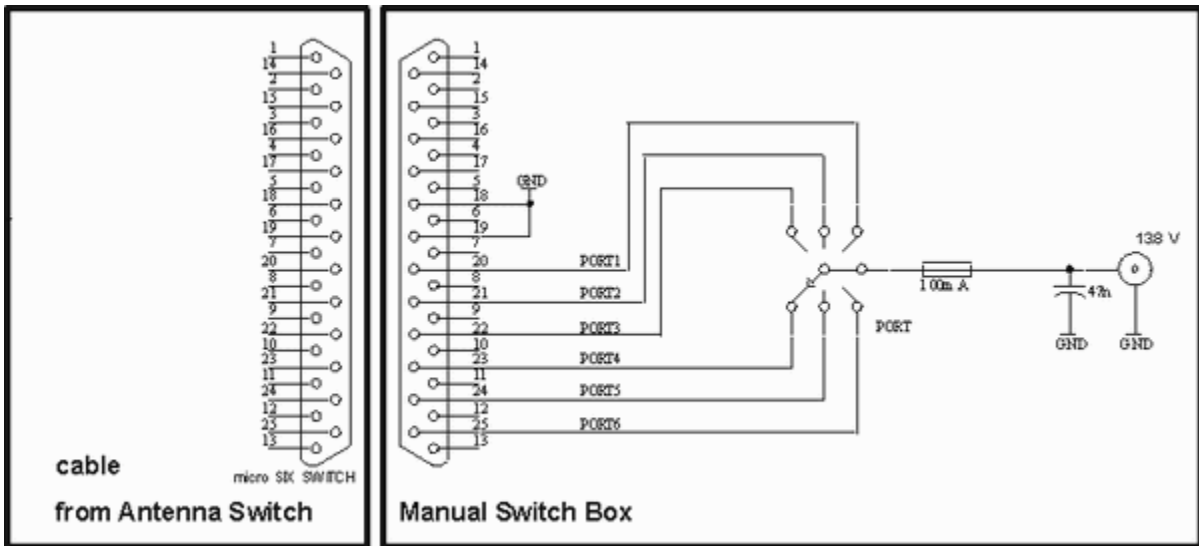


MANUAL ANTENNA SELECTION

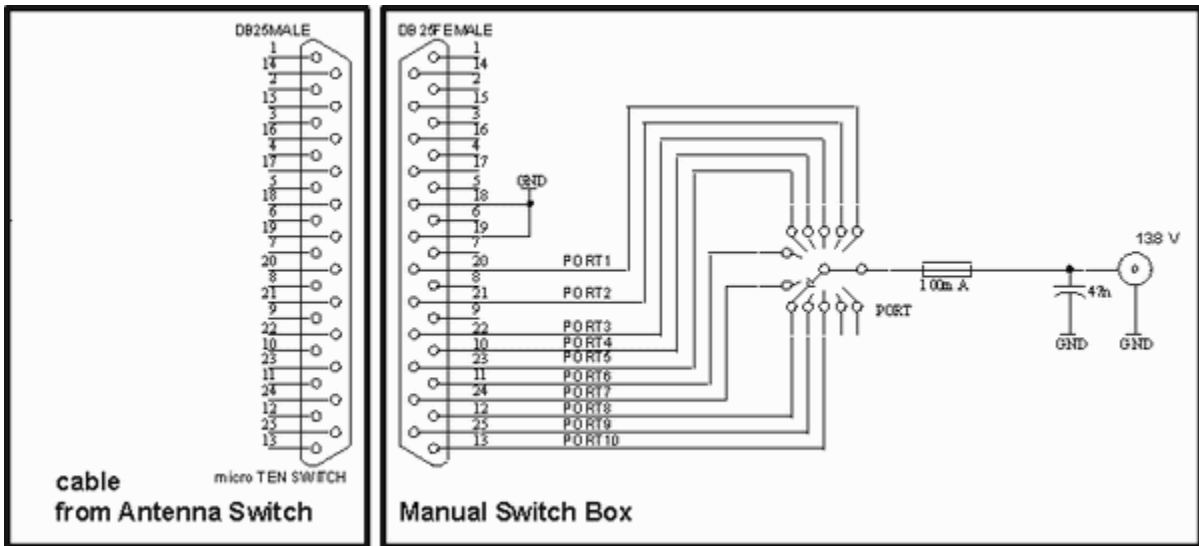
The antenna switch can also be controlled also manually using a simple rotary switch connected as shown in the following pictures.

The control signal on the antenna switch is always positive, against GND.

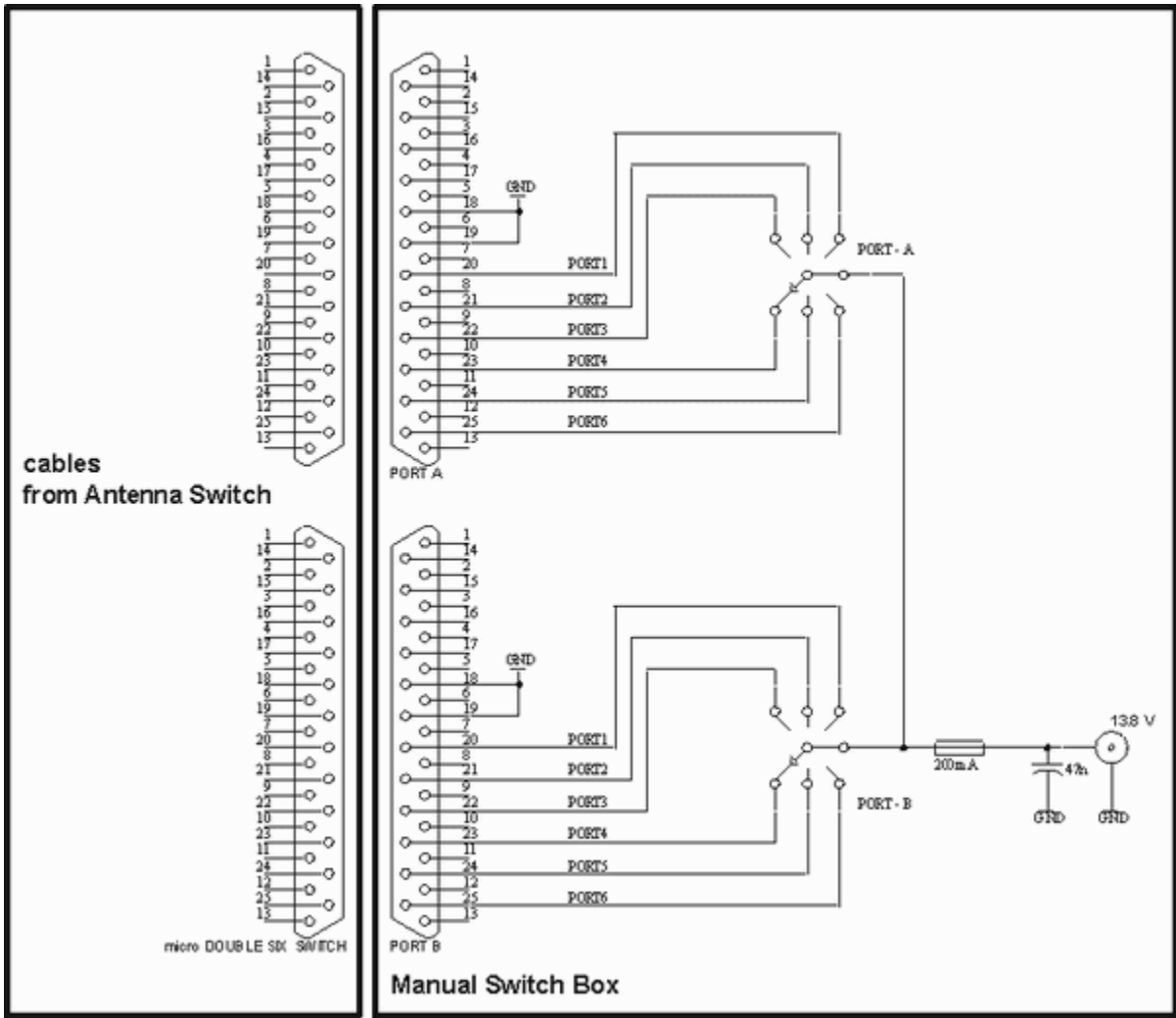
The input voltage of relays in antenna switches is 10-16V, optimally +12V against GND on terminals of the antenna switch.



micro SIX SWITCH



micro TEN SWITCH



micro DOUBLE SIX SWITCH