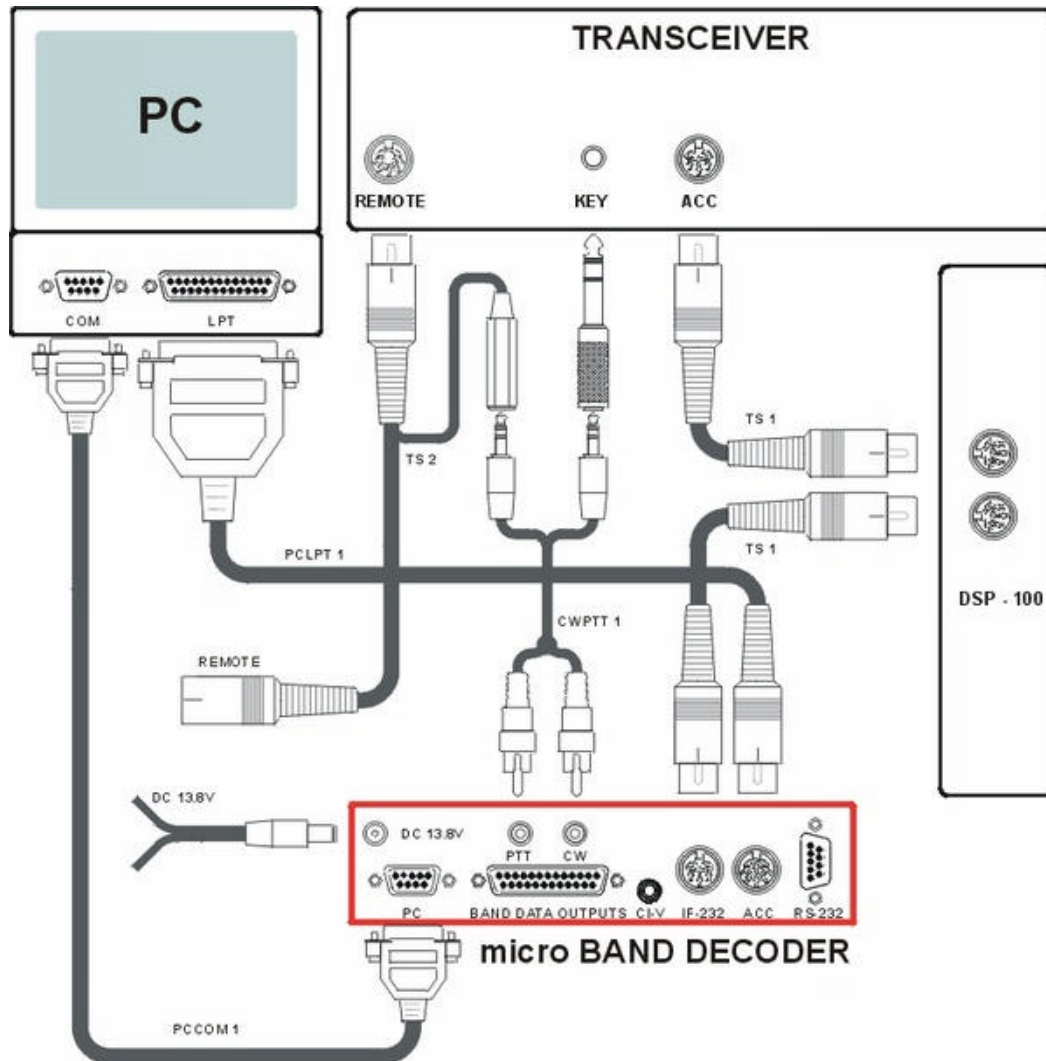


## KENWOOD - TS 450 , 690 , 850 , 950



This configuration is used for transceivers fitted with the IF-232 communication interface. The logging software controls the RIG via the COM port. Keying is via LPT port. Band data is acquired by reading the serial data.

The PTT signal comes to the RIG via a TS2 cable which extends the REMOTE connector for further use (e.g. PA control).

Keying via the COM port is not possible, as handshake signals RTS, CTS are used by the DSP-100 unit.