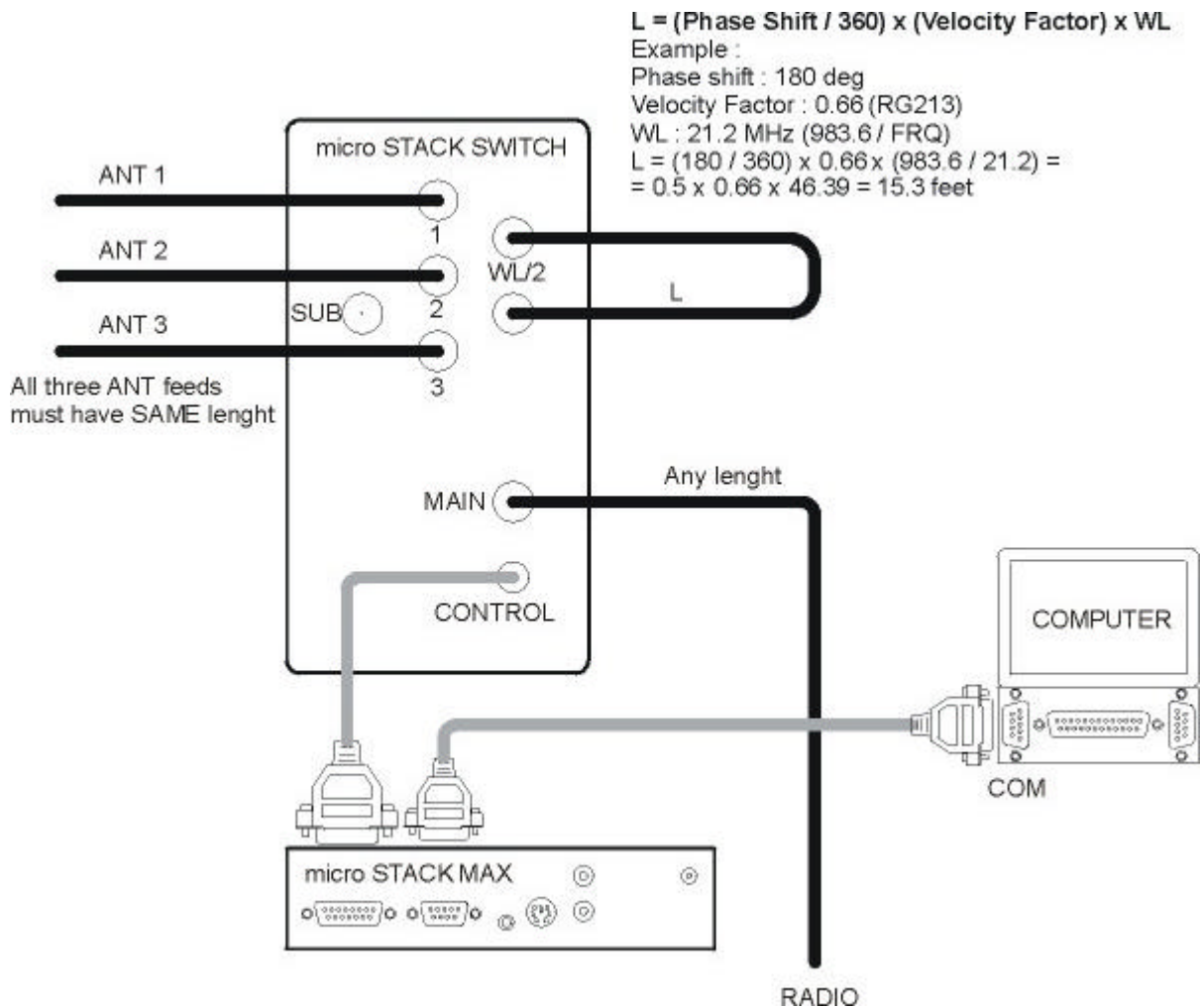


Basic Stacking



Feeds from each antenna must be the same length. If you use only two (2) antennas modify your configuration in the Stack Max to prevent problems if you select an unused antenna.

The WL/2 (BOP) phasing line is not necessary if BOP ("Both out of Phase") operation is not required.

If you not use BOP, disable the BOP mode with the microHAM Device Configurator.

For single radio operation disable the AUX functions.

A computer connection is only required for remote control or configuration.

With microHAM Remote Controller you can control multiple micro STACK MAX devices from computer remotely.