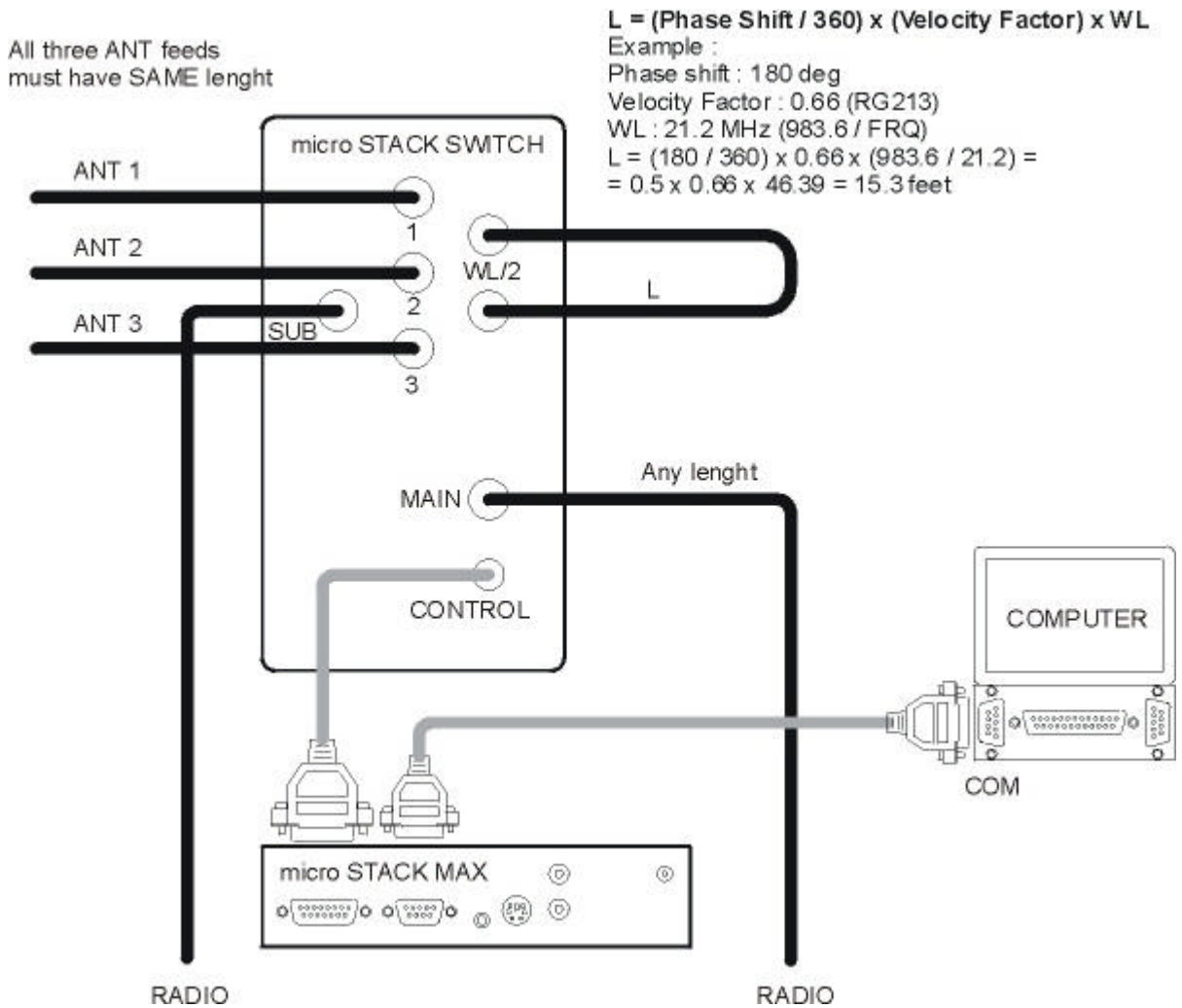


## SO2R Stacking



For SO2R operation you can use the unique capability of the micro STACK SWITCH and route one antenna from the stack to second radio. This is particularly useful when stacking multi-band antennas.

The settings can be done as is described in Application Note 31. However, AUX operation must be enabled.