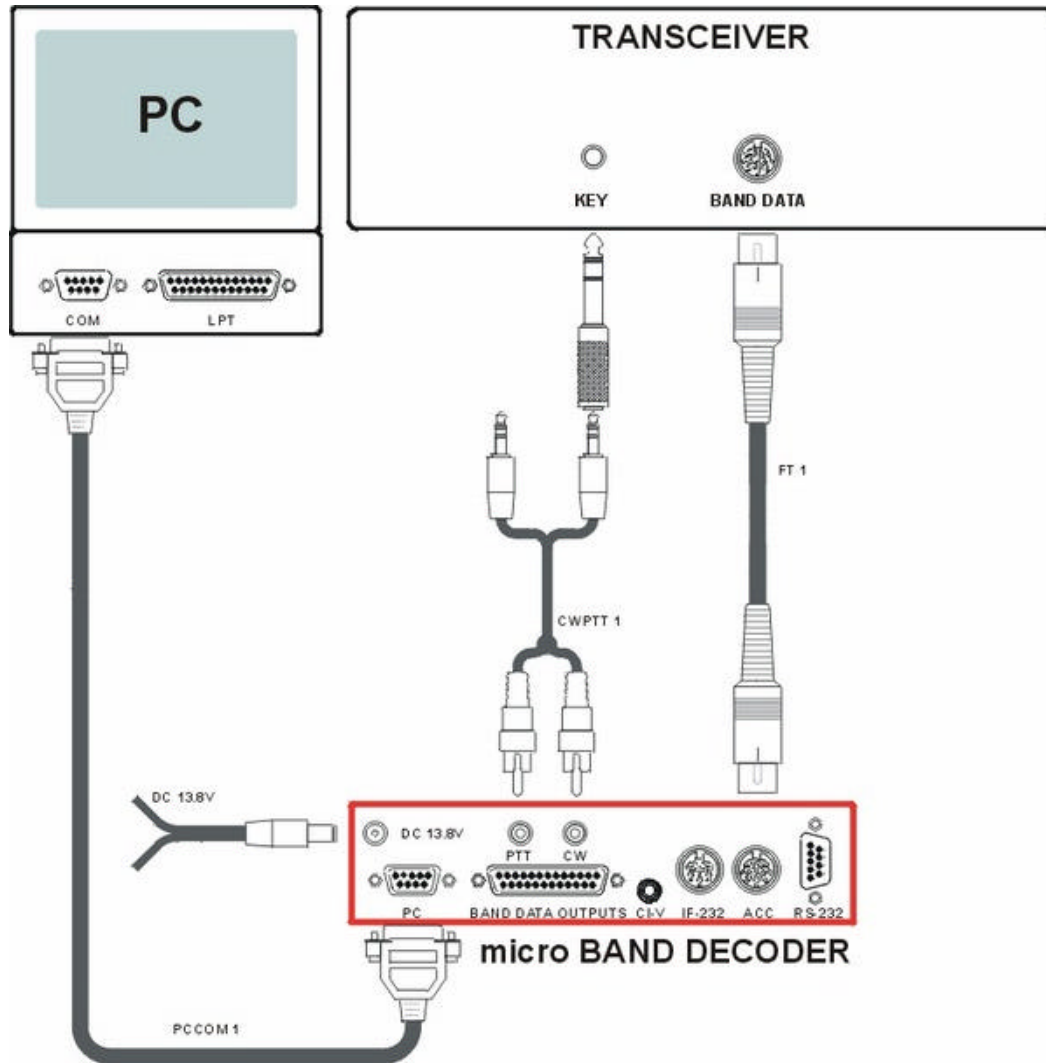


## YAESU FT 920 , 990 , 1000 , 1000D , 1000MP , 1000MP Mark V, 1000MP Mark V Field



This configuration is used for transceivers with the DIN 8 - BAND DATA output in BCD format. The PC keys the RIG via the COM port, and BAND DATA is acquired in from the "Band Date" jack.

The PTT signal is connected to RIG via an adapter depending on type of transceiver.

**Warning :** models FT990, 1000 and 1000D need valid QSK wiring to QSK amplifier. If you not use QSK, ground pin #8 (LINEAR) on the Band Data jack. Otherwise radio will not produce power on TX.